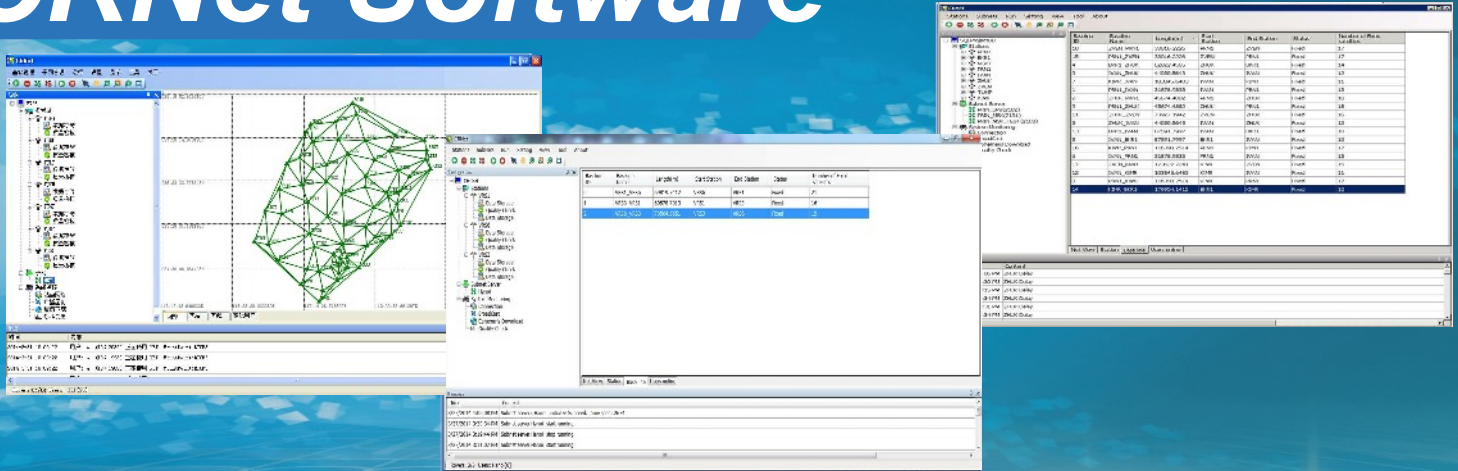


# CRNet Software



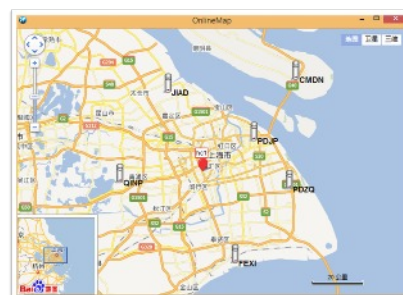
## CHC | Reference Station Network Powerful CORS Calculation Software

### KEY FEATURES

- **Support to connect different brands reference receivers**
- **Support any combination of calculation of the GPS, GLONASS, BDS system**
- **Adopt distributed solution, three distributed softwares can be deployed at random**
- **Support mass rover stations, single server can support the connection of 2500 rovers on line**
- **Vivid map display**

The CHC Reference Station Network (CRNet) software is a new version of distributed system software released by CHC which is compatible with Beidou and suit for large scale CORS system service. With the optimization analysis of systematic errors like ionospheric, tropospheric, orbit and multi-path error, the establishment of the delay error model, the users are provided with optimized spatial error corrections and the improved VRS will supply more reliable and precise CORS service. CRNet is composed by CHC Stream software, CRNet core calculation software and CHC Caster distribution software.

- ▶ Calculate the raw data of different brands receivers, like Trimble, NovAtel, Topcon, etc
- ▶ Support various broadcast format: SCMR, RTCM3.2, RTCM3.1, RTCM3.0, CMR, CMR+, RTCM2.3
- ▶ Advanced core similar VRS processing engine that can accurately estimate the air model of regional ionospheric and tropospheric
- ▶ Achieve real-time intelligent analysis for the raw data
- ▶ Software cloud service
- ▶ Rich user management attributes
- ▶ Compatible with ACCESS and SQL Server



# System Requirements

## Operation System

- Microsoft Windows<sup>(1)</sup> XP, 32-bit and 64-bit
- Microsoft Windows 7, 32-bit and 64-bit
- Microsoft Windows Server 2003, 32-bit and 64-bit
- Microsoft Windows Server 2008, 32-bit and 64-bit

## Processor

- Recommended: 2.0 GHz or higher

## Random Access Memory (RAM)

- Recommended: 2 GB or more

## Hard Disk

- Recommended: 5 GB or more
- Graphics: DirectX 9(or higher) compatible graphic card with 512 MB memory or higher
- I/O Ports: USB 2.0 port

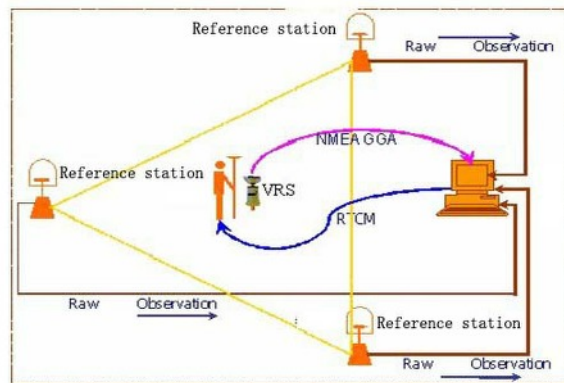
<sup>(1)</sup> Under Microsoft Windows, requires Administrator Privileges

## Software License

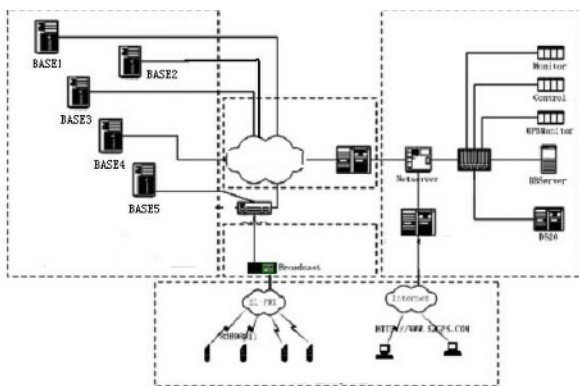
- Single software code license based on individual computer identification

## Supported Language

- English



Working principle diagram



CHC BDS/GNSS CORS Network structure

© 2014 - Shanghai HuaCe Navigation Technology Ltd. All rights reserved. The Bluetooth® world mark and logos are owned by Bluetooth SIG, Inc. The CHC logo and CHC are trademarks of Shanghai HuaCe Navigation Technology Limited. All other trademarks are the property of their respective owners - Rev. June 2014

CHC - Shanghai HuaCe Navigation Technology Ltd.  
599 Gaojing Road, Building C  
201702 Shanghai, China

Tel : +86 21 542 60 273  
Fax : +86 21 649 50 963

Email : sales@chcnv.com | www.chcnv.com